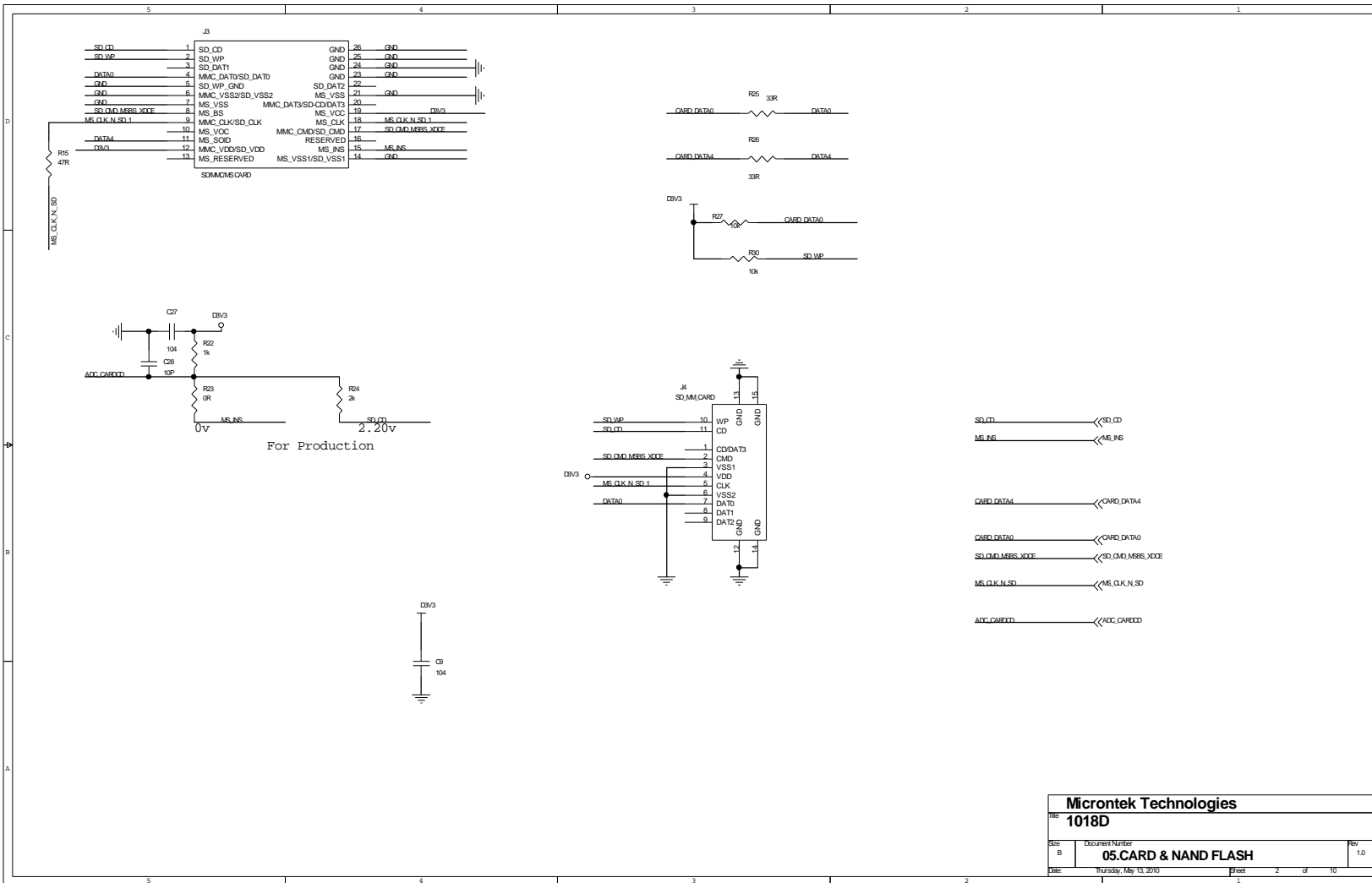
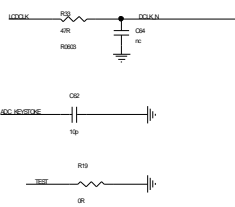
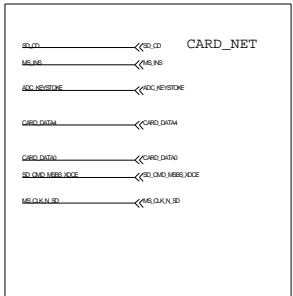
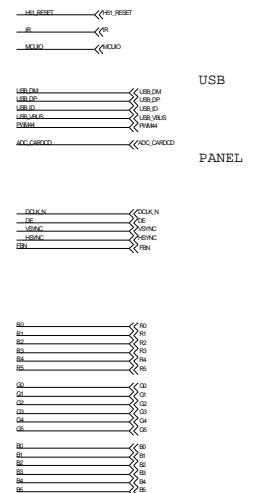
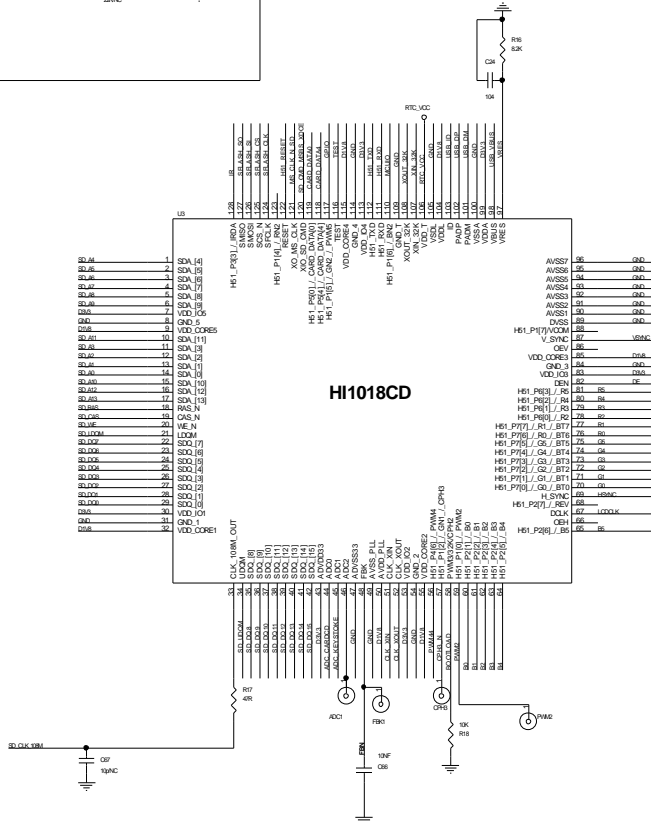
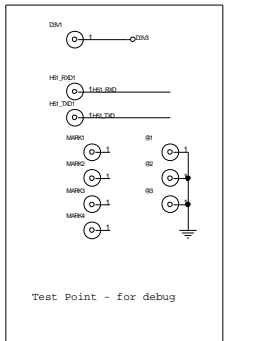
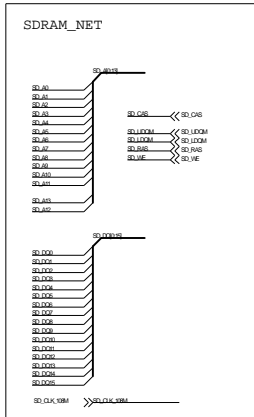
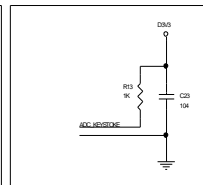
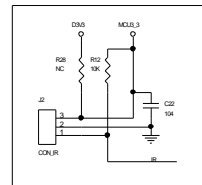
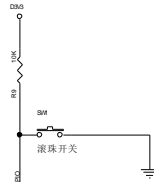
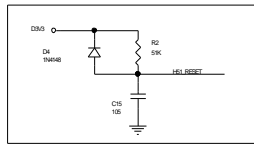
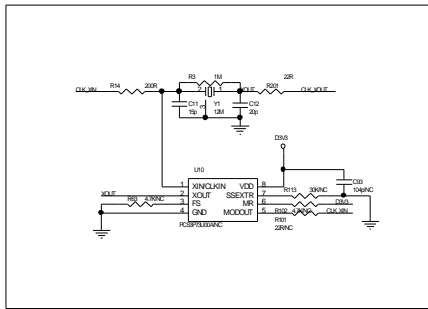
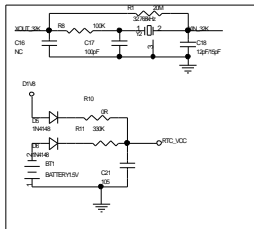


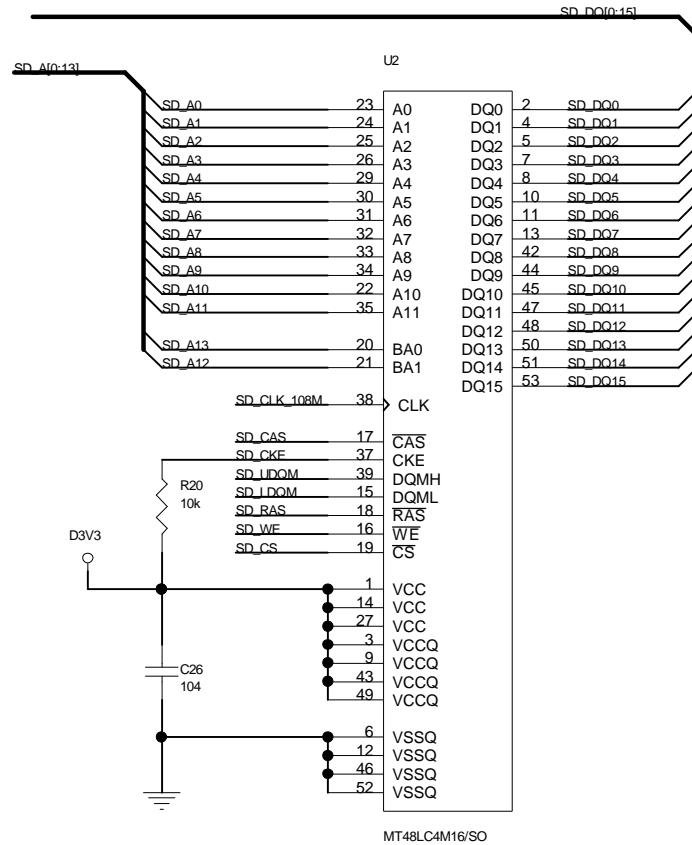
<b>Microntek Technologies</b>	
Title	
<b>1018D</b>	
Size	Document Number
B	<b>02.POWER</b>
Date:	Thursday, May 13, 2010
Sheet	1 of 10
Rev	1.0



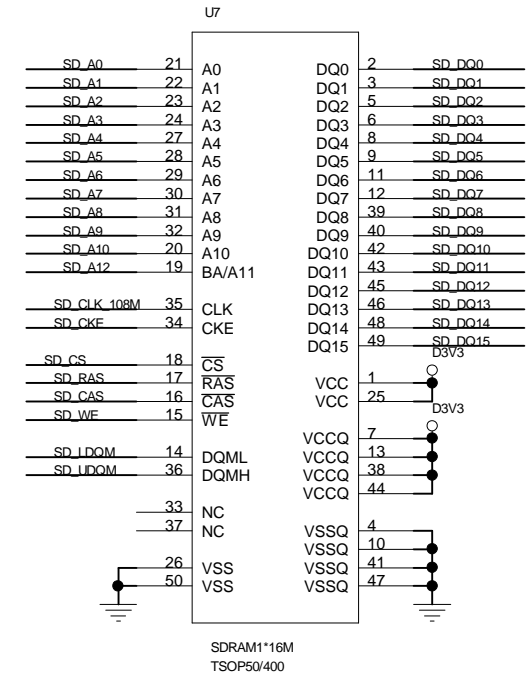
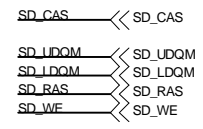
<b>18C</b>	
18CD	
Size	Document Number
B	<b>04.CARD</b>
Date	Thursday, May 13, 2010
Sheet	2 of 10
Rev	1.01

<b>Microntek Technologies</b>	
<b>1018D</b>	
Size	Document Number
B	<b>05.CARD &amp; NAND FLASH</b>
Date	Thursday, May 13, 2010
Sheet	2 of 10
Rev	1.0





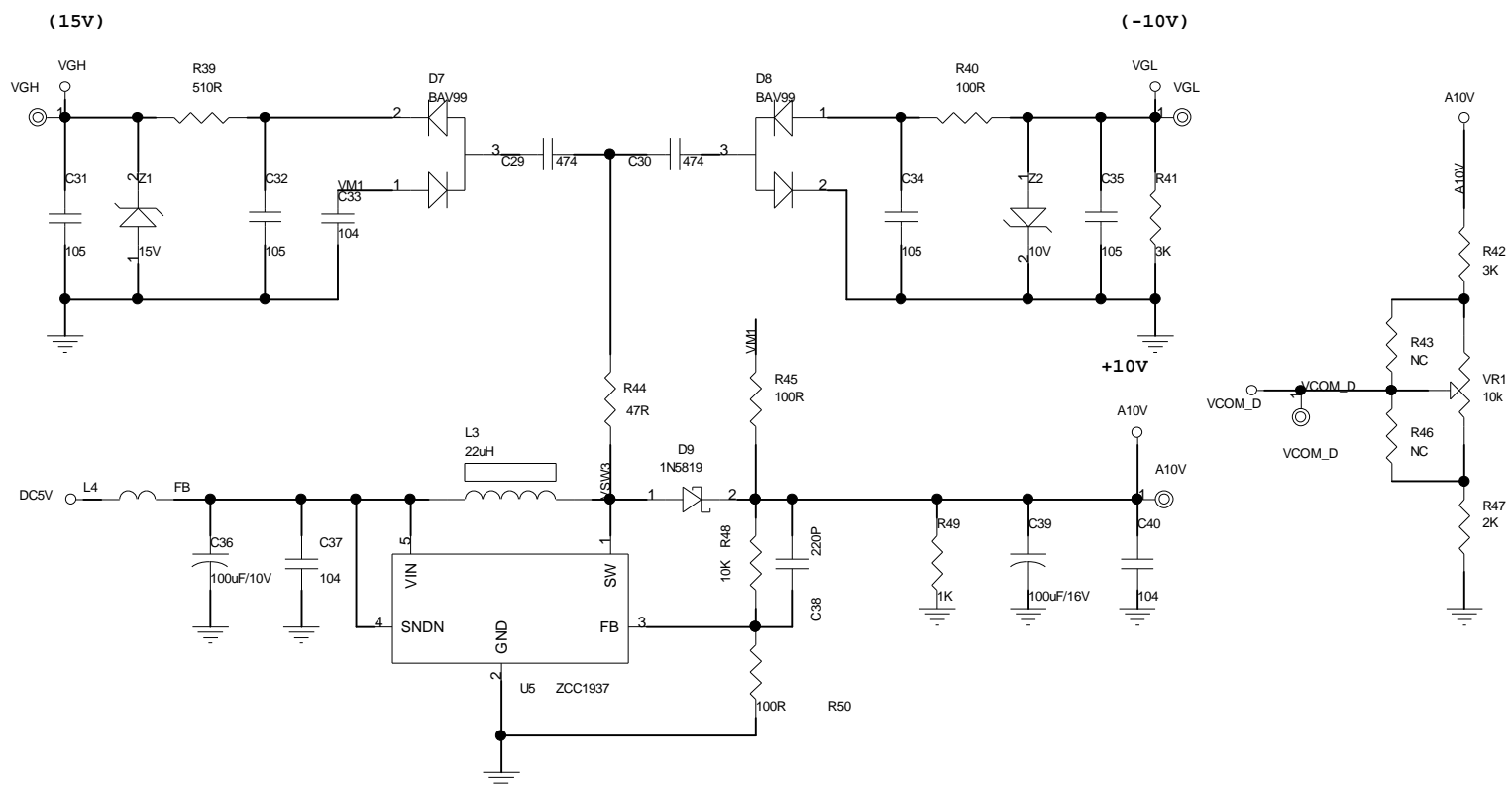
MT48LC4M16/SO



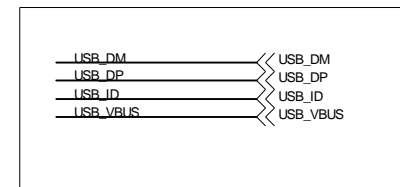
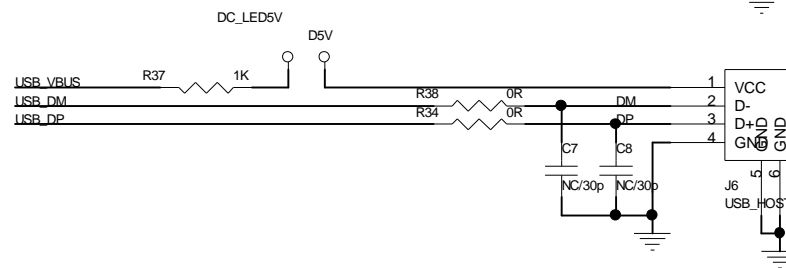
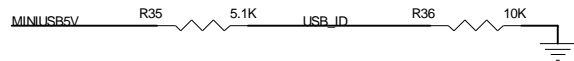
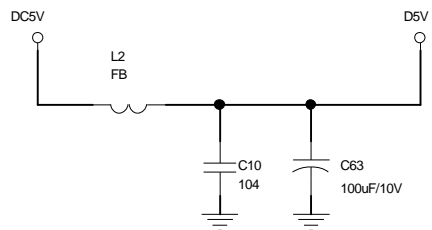
SDRAM1\*16M  
TSOP50/400

**Microntek Technologies**

Title		
<b>1018D</b>		
Size	Document Number	Rev
B	<b>04.SDRAM</b>	1.0
Date:	Thursday, May 13, 2010	Sheet 4 of 10



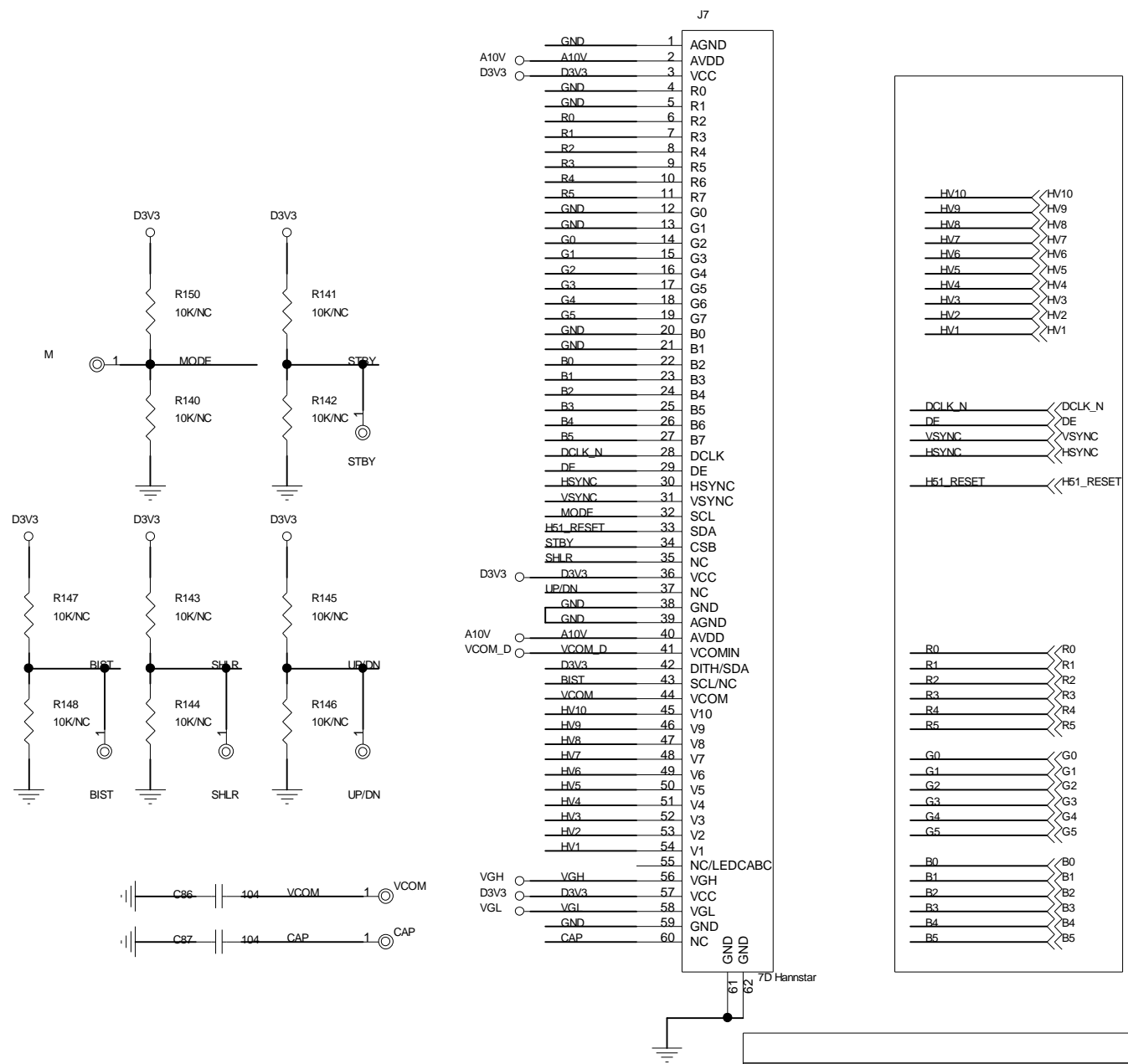
<b>Microntek Technologies</b>		
Title		
<b>1018D</b>		
Size	Document Number	Rev
B		1.0
Date:		Sheet
Thursday, May 13, 2010		5 of 10



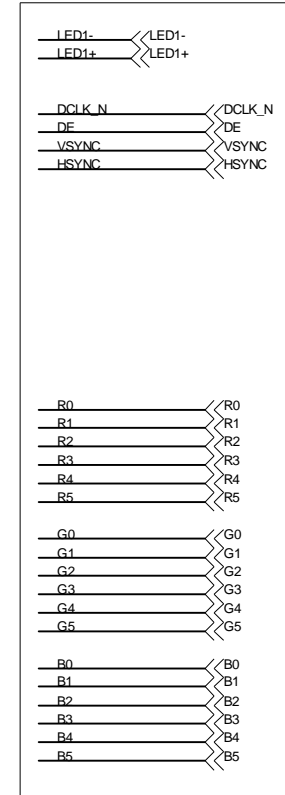
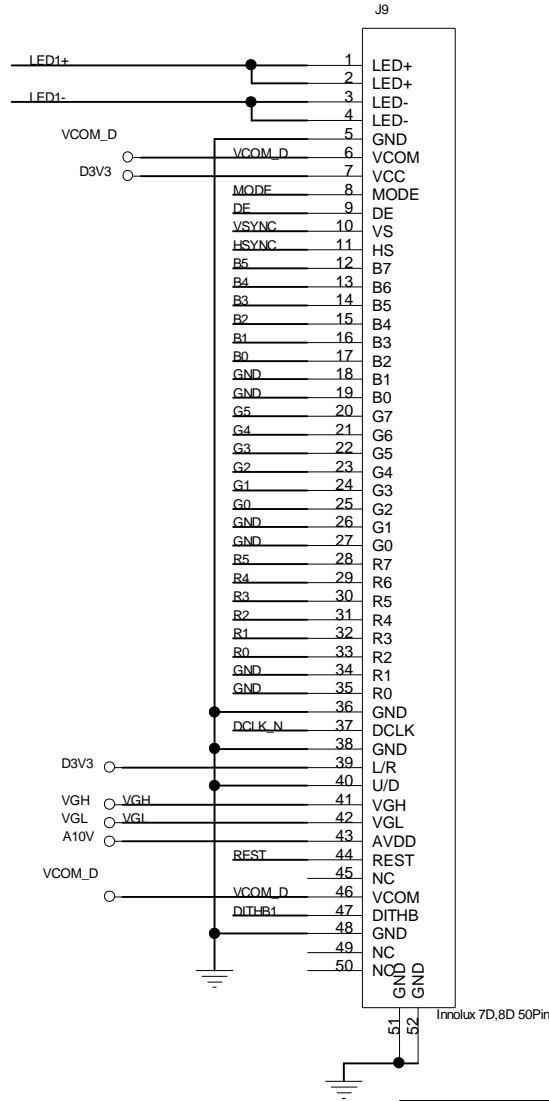
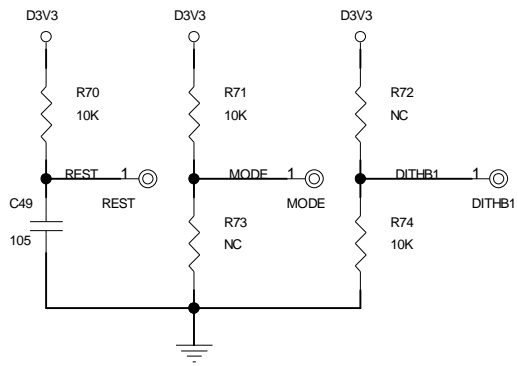
## Microntek Technologies

Title		
<b>1018D</b>		
Size	Document Number	Rev
B		1.0
Date: Thursday, May 13, 2010		Sheet 6 of 10

**06.USB**

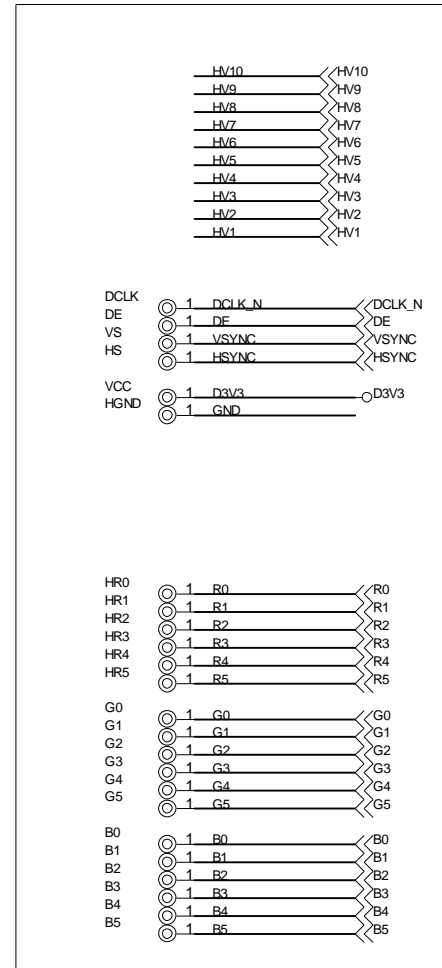
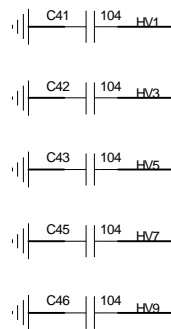
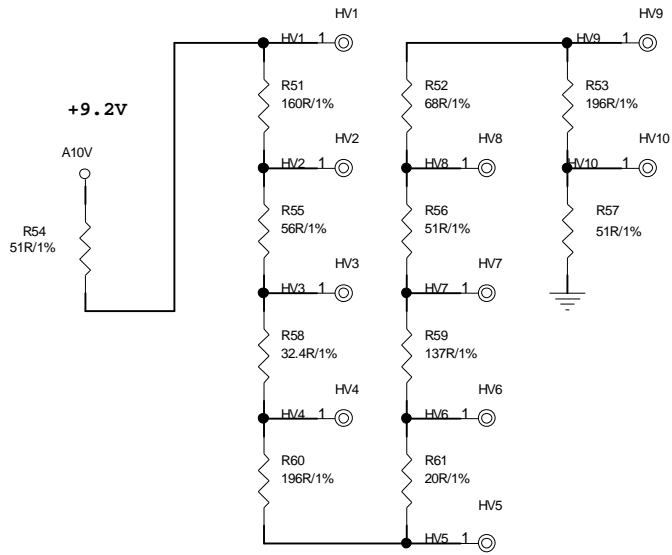


Title		
Size	Document Number	Rev
B		?
Date:	Thursday, May 13, 2010	Sheet 7 of 10

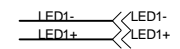
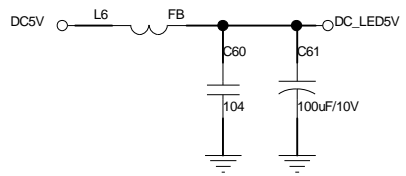
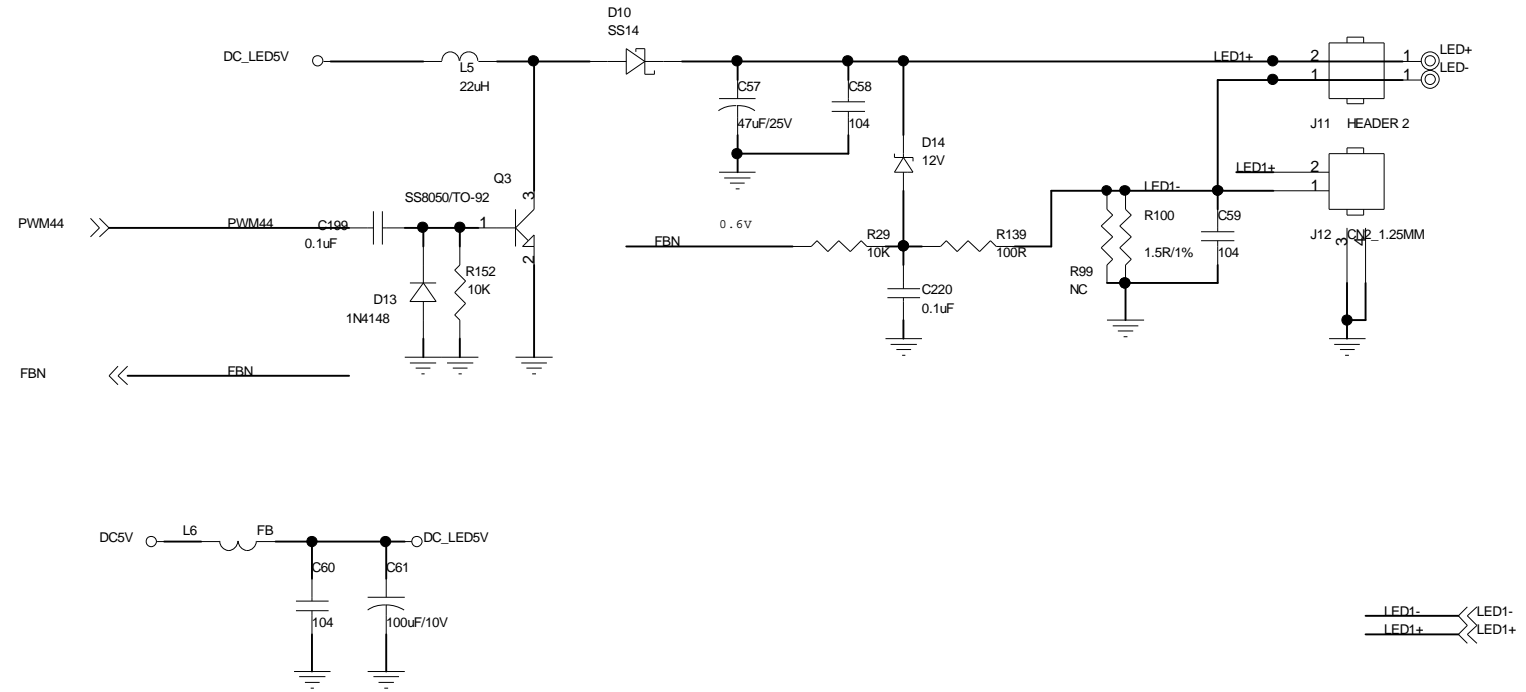


Title		
Size	Document Number	Rev
B		?
Date:	Thursday, May 13, 2010	Sheet 8 of 10





Title		
Size B	Document Number	Rev ?
Date:	Thursday, May 13, 2010	Sheet 9 of 10



<b>Microntek Technologies</b>		
Title		
<b>1018D</b>		
Size	Document Number	Rev
B		<b>09.Backlight</b>
Date:	Thursday, May 13, 2010	Sheet 10 of 10 Rev 1.0